

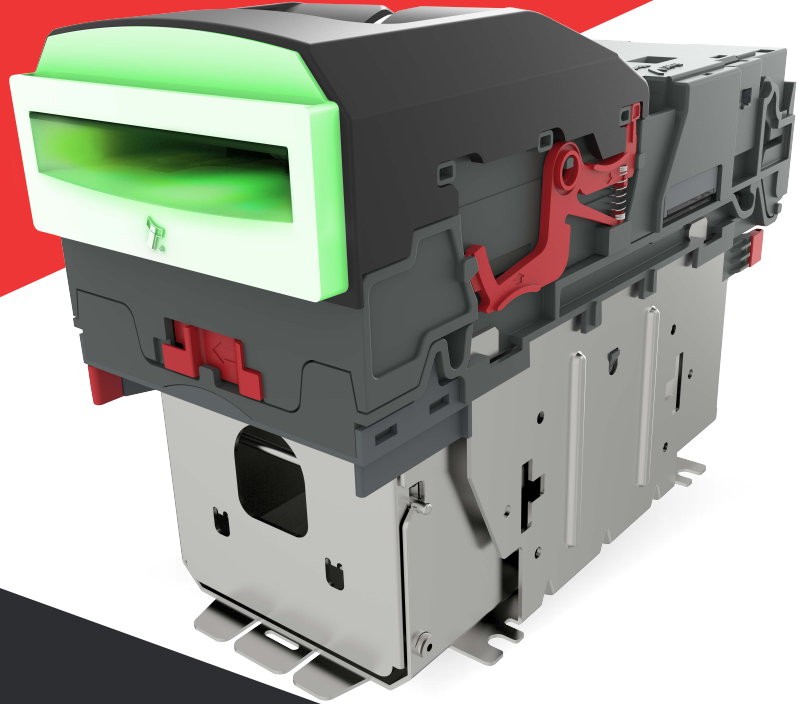


**Innovative Technology**

INTELLIGENCE IN VALIDATION

## NV9 USB+

*“Enhanced sensing technology”*



- Exceptional field reliability
- Enhanced sensing technology
- Cashbox & bezel options to suit all applications
- Future proof
- Add on recycler available



### FEATURES

- Various cashbox and bezel options
- Proven field reliability
- Enhanced sensing technology = high acceptance rate for multi-currency
- Easy maintenance, free firmware updates
- Over 100 different world currencies accepted
- Optional note float unit



### BENEFITS

- Versatile validator, suitable for all applications
- Lowest cost of ownership
- Takes more cash
- Future proof - quick & easy updates via USB, PC or handheld programmer
- A truly global product
- Ability to add note recycling

## Technical Specification

### Power

Requirements: 12V  
Standby: 0.2A  
Running: 1A  
Peak: 1.5A

### Interfaces

USB option  
Open collector

### Protocols

SSP	Parallel
ccTalk	Binary
MDB	Serial
Pulse	

### Bezel Options

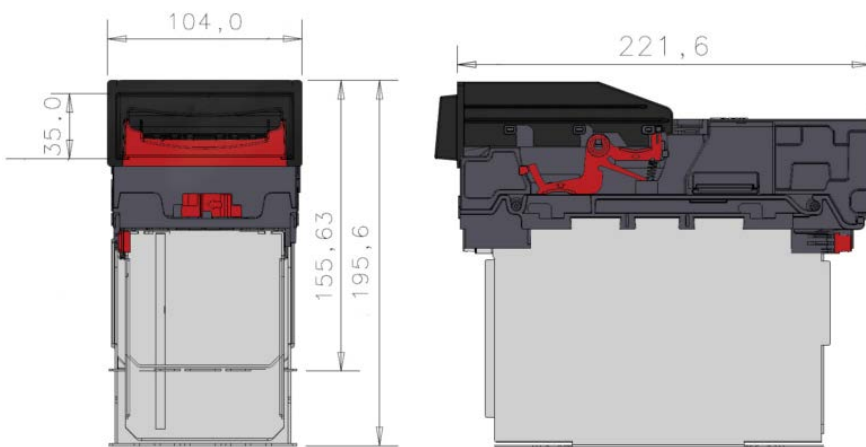
66/69/82mm width	Vertical up/down
Rainbow illumination	Horizontal
Various snout options	

### Cashbox Options

300/600 slide  
300/600 clip  
300 lockable  
Stackerless

### MCBF

200,000



- Weight: 1.7kg

**VIEW MORE  
NOTE HANDLING  
PRODUCTS >>**



### Find Us

#### Head Office

Innovative Technology Ltd (UK)  
Innovative Business Park  
Derker Street  
Oldham  
OL1 4EQ



### Telephone

+44 (0) 161 626 9999



### Email

sales@innovative-technology.com



**Innovative Technology**

INTELLIGENCE IN VALIDATION

www.innovative-technology.com

For any other combination of bezel/cashbox, please contact our Sales team  
sales@innovative-technology.com

# NV9 USB+

## Standard Options

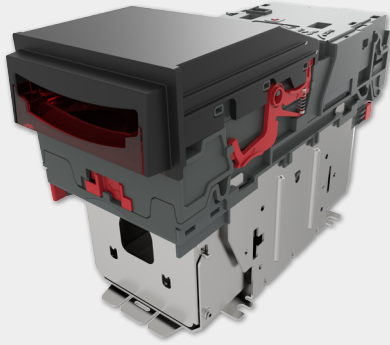
### NV9-USB 101

**Cash Box**

300 Slide In (PA00192)

**Bezel**

Horizontal (PA00189)



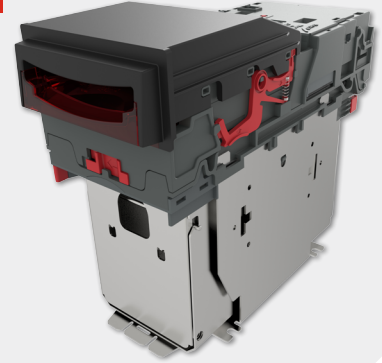
### NV9-USB 201

**Cash Box**

600 Slide In (PA00194)

**Bezel**

Horizontal (PA00189)



### NV9-USB 501

**Cash Box**

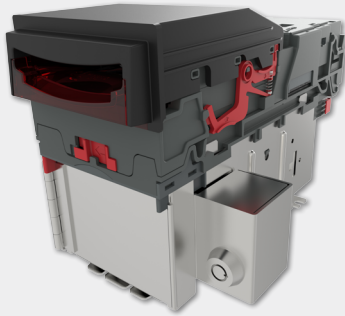
300 Lockable (PA00186)

**Bezel**

Horizontal (PA00189)

**Configurations**

Front Right / Back Right  
Front Left / Back Left



### NV9-USB 102

**Cash Box**

300 Slide In (PA00192)

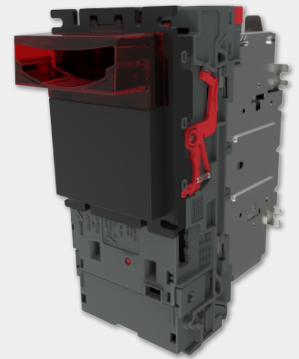
**Bezel**

Vertical Down Snout (PA00191)

**Also Available:**

**Cash Box**

600 Slide In (PA00194) | NV9 USB-202



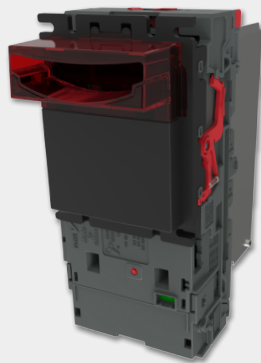
### NV9-USB 302

**Cash Box**

300 Clip On (PA00185)

**Bezel**

Vertical Down Snout (PA00191)



### NV9-USB 402

**Cash Box**

600 Clip On (PA00185)

**Bezel**

Vertical Down Snout (PA00191)



### NV9-USB 103

**Cash Box**

300 Slide In (PA00192)

**Bezel**

Vertical Up (PA00188)

**Also Available:**

**Cash Box**

600 Slide In (PA00194) | NV9 USB-203



### NV9-USB 303

**Cash Box**

300 Clip On (PA00185)

**Bezel**

Vertical Up (PA00188)



# NV9 USB+

## Standard Options

### NV9-USB 403

**Cash Box**  
600 Clip On (PA00193)

**Bezel**  
Vertical Up (PA00188)

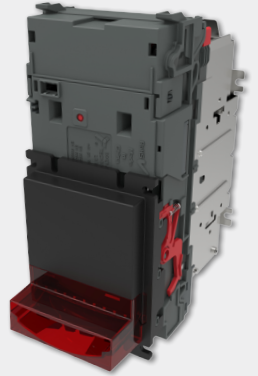


### NV9-USB 104

**Cash Box**  
300 Slide In (PA00192)

**Bezel**  
Vertical Up Snout (PA00190)

**Also Available:**  
**Cash Box**  
600 Slide In (PA00194) | NV9 USB-204



### NV9-USB 304

**Cash Box**  
300 Clip On (PA00185)

**Bezel**  
Vertical Up Snout (PA00190)



### NV9-USB 404

**Cash Box**  
600 Clip On (PA00193)

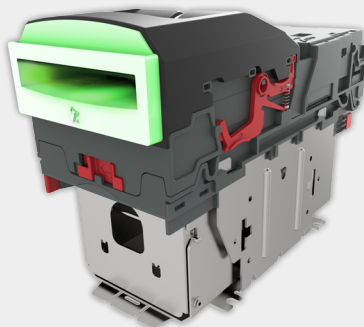
**Bezel**  
Vertical Up Snout (PA00190)



### NV9-USB 106

**Cash Box**  
300 Slide In (PA00192)

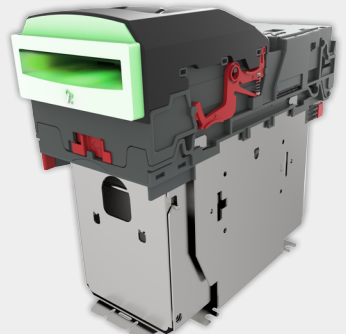
**Bezel**  
Horizontal Rainbow (PA01144)



### NV9-USB 206

**Cash Box**  
600 Slide In (PA00194)

**Bezel**  
Horizontal Rainbow (PA01144)

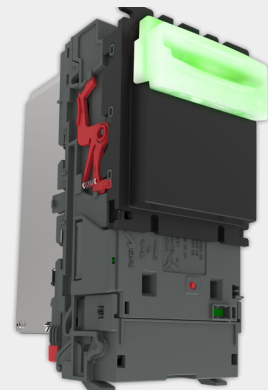


### NV9-USB 307

**Cash Box**  
300 Clip On (PA00185)

**Bezel**  
Vertical Rainbow (PA02388)

**Also Available:**  
**Bezel**  
Vertical Rainbow 69mm (PA02383) | NV9 USB-308  
Vertical Rainbow 78mm (PA02388) | NV9 USB-309



### NV9-USB 407

**Cash Box**  
600 Clip On (PA00193)

**Bezel**  
Vertical Rainbow (PA02388)

**Also Available:**  
**Bezel**  
Vertical Rainbow 69mm (PA02383) | NV9 USB-408  
Vertical Rainbow 78mm (PA02388) | NV9 USB-409

