

SUITCASE® Singlefold Ramp

Optional Top Lip Extension is available. Contact your local EZ-ACCESS retailer for details.

IMPORTANT INFORMATION

- ▲ Rated load is 800 pounds. **Never exceed rated load.**
- ▲ Read and follow all labels, instructions, safety and maintenance information before use.
- ▲ For additional care, use or safety information, or to obtain replacement copies, please call 1-800-451-1903 or visit www.ezaccess.com.
- ▲ Do not use if ramp is damaged or unstable.
- ▲ For wheelchairs and scooters only (not intended for commercial use).
- ▲ Ramp may be slippery when wet or icy.
- ▲ Use only if sufficient maneuvering room is available at both ends of the ramp to assure safe travel when entering and exiting the ramp.
- ▲ Use ramp only with a qualified helper and always use your lap belt.
- ▲ The ramp shown in the figures below is the 5-ft length. To select the ramp length, an incline chart is provided on the reverse side of this document. However, it is intended only as a guideline. Refer to your equipment's (wheelchair or scooter) Owner Guide for the proper degree of incline/decline and chair direction before attempting ramp use. **Never exceed its recommendations.**

INSTALLATION

1. Ramp is shipped fully assembled.
 2. Place ramp on landing in the folded position, making sure that the top lip transition plate (labeled TOP) is resting securely on the landing, see FIGURE 1.
 3. Unfold ramp and center on landing as shown in FIGURES 1 & 2.
- ▲ Ensure top lip transition plate is secure before using ramp. We recommend attaching ramp temporarily to the landing using provided clevis pins (drill ¼" hole in landing) or semi-permanently using screws through pre-drilled holes at the top of each section. To prevent ramp from becoming dislodged during use, make sure that the top lip transition plate overlaps the resting surface as far as possible (FIGURE 2).
 - ▲ The surface holding the top lip transition plate needs to be substantial and of sound construction.

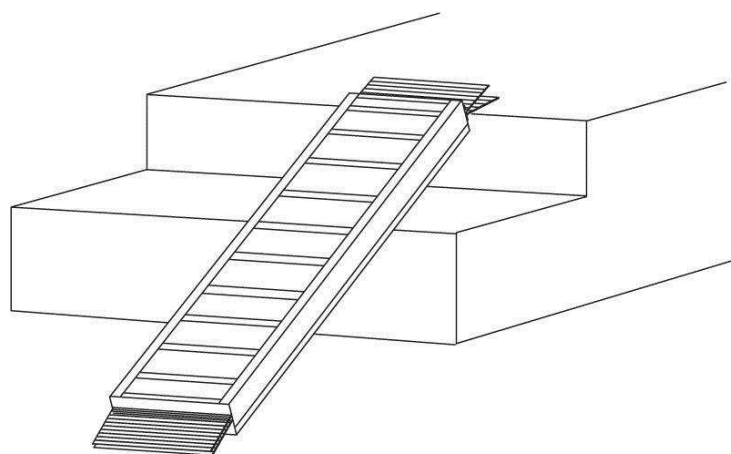


FIGURE 1

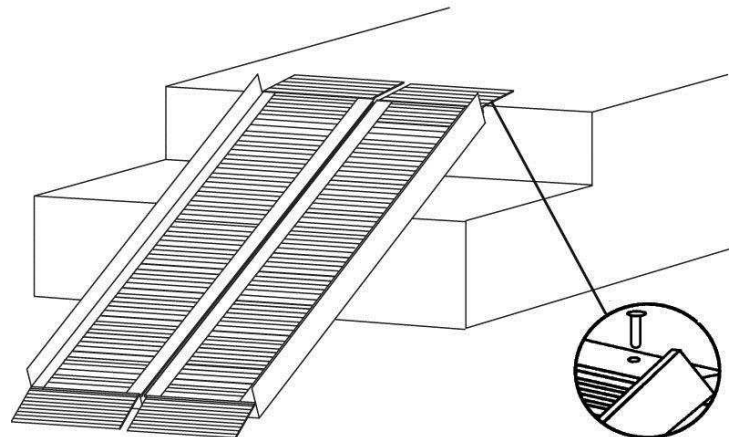


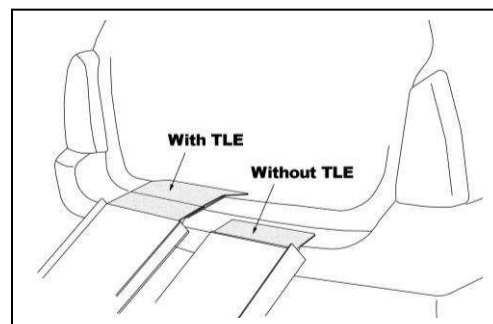
FIGURE 2

SAFETY & MAINTENANCE

Regularly check ramp for damage, and check and tighten any loose fasteners. Keep ramp surface clear of ice, snow, dirt, leaves, and other debris. For snow/ice, remove accumulation and sweep the surface clean. To remove dirt, leaves, and other debris, sweeping the surface or using a garden hose will usually suffice, but, if needed, use a damp cloth or soft brush with non-alkaloid detergent and water. Rinse well and use extra caution if ramp surface is wet.

OPTIONAL ACCESSORY

Increase the usefulness of the SUITCASE® Singlefold ramp with the Top Lip Extension (TLE). This optional extension increases the standard 3" top lip transition plate to become 9", allowing the ramp to clear the rear bumper of SUVs and vans by simply attaching to the top lip of the ramp. TLE is for use with unoccupied mobility equipment only and, when used, reduces the overall ramp weight capacity to 500 pounds. Contact your local retailer or visit www.ezaccess.com.



Patent No. 8,191,193

LIFETIME WARRANTY. Please register at www.ezaccess.com/warranty-satisfaction. CE Technical Files kept at: Enable Access, Marshmoor Works Great North Road, North Horth Mymms Hatfield, AL9 5SD, UK © EZ-ACCESS®, a division of Homecare Products, Inc. All rights reserved.

All text and images contained in this document are proprietary and may not be shared, modified, distributed, reproduced, or reused without the express written permission of EZ-ACCESS.

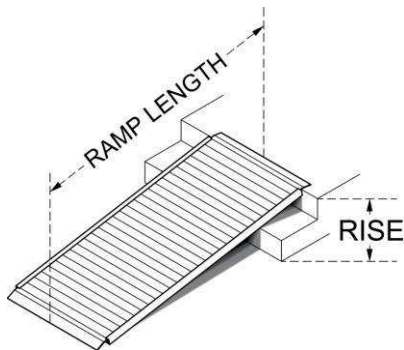


INCLINE CHART



| RISE | RAMP LENGTH | | | | | | | | | |
|------|-------------|-------|-------|-------|-------|-------|-------|-------|-------|--|
| | 2' | 3' | 4' | 5' | 6' | 7' | 8' | 9' | 10' | |
| 3" | 7.2° | 4.8° | 3.6° | 2.9° | 2.4° | 2.0° | 1.8° | 1.6° | 1.4° | |
| 4" | 9.6° | 6.4° | 4.8° | 3.8° | 3.2° | 2.7° | 2.4° | 2.1° | 1.9° | |
| 5" | 12° | 8.0° | 6.0° | 4.8° | 4.0° | 3.7° | 3.0° | 2.7° | 2.4° | |
| 6" | 14.5° | 9.6° | 7.2° | 5.7° | 4.8° | 4.1° | 3.6° | 3.2° | 2.9° | |
| 7" | | 11.2° | 8.4° | 6.7° | 5.6° | 4.8° | 4.2° | 3.7° | 3.3° | |
| 8" | | 12.8° | 9.6° | 7.7° | 6.4° | 5.5° | 4.8° | 4.2° | 3.8° | |
| 9" | | 14.5° | 10.8° | 8.6° | 7.2° | 6.2° | 5.4° | 4.8° | 4.3° | |
| 10" | | | 12.0° | 9.6° | 8.0° | 6.8° | 6.0° | 5.3° | 4.8° | |
| 12" | | | 14.5° | 11.5° | 9.6° | 8.2° | 7.2° | 6.4° | 5.7° | |
| 14" | | | | 13.5° | 11.2° | 9.6° | 8.4° | 7.4° | 6.7° | |
| 16" | | | | | 12.8° | 11.0° | 9.6° | 8.5° | 7.7° | |
| 18" | | | | | 14.5° | 12.4° | 10.8° | 9.6° | 8.6° | |
| 20" | | | | | | 13.8° | 12.0° | 10.7° | 9.6° | |
| 22" | | | | | | | 13.2° | 11.8° | 10.6° | |
| 24" | | | | | | | 14.5° | 12.8° | 11.5° | |
| 26" | | | | | | | | 13.9° | 12.5° | |
| 28" | | | | | | | | 15.0° | 13.5° | |
| 30" | | | | | | | | | 14.5° | |

IMPORTANT: Refer to your equipment's (wheelchair or scooter) Owner Guide for the proper degree of incline/decline and chair direction before attempting ramp use. Never exceed its recommendations.



TO ESTABLISH THE PROPER RAMP LENGTH:

- Determine the incline that your chair is designed to climb.
- Measure the rise (distance from the top step, porch, van, etc. to the ground).
- Refer to Incline Chart to find proper ramp length.
- At any incline, use ramp only with a qualified helper.

