

# N-SENS Motorized Positioner



**NANOSSENS**<sup>®</sup>

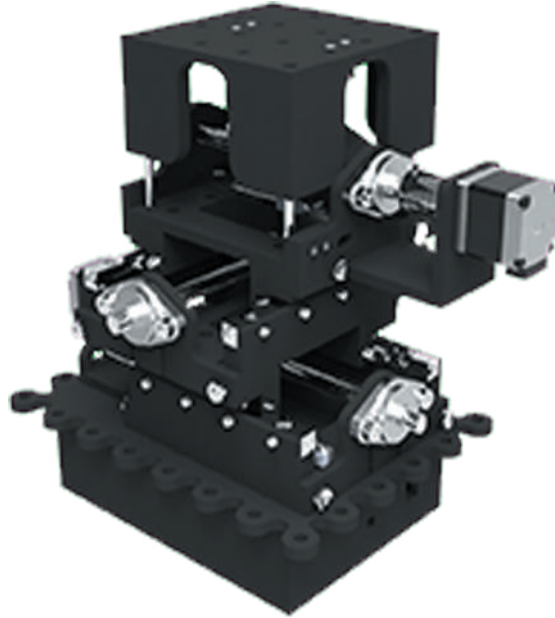
Spectroscopic Solutions for Industries

[www.nanosens.com.tr](http://www.nanosens.com.tr)

# N-SENS

## Motorized Positioner

NANOSENS manufactures a wide range of XYZ-motorized linear translation stages with customer specific resolutions. These positioning systems are of the used in precision automation applications, in optics, micro-robotics, imaging and precision assembly. NANOSENS provides multi-axis solutions, X-Y-Z combinations assembled from individual linear stages. N-SENS Motorized Positioners have unique features including compact design, precise movement and customer specific travel range.



### Technical Specifications

- Ability to integrate the sensor and the computer as a single device
- Lightweight and easy-to-use
- Scrollable display provides comfort
- Customer specific design and manufacturing (the direction of the
- Sensor, the screen size etc.)

\*For specific production please contact with NANOSENS.