

BIRKENMAYER MIXERS

OUR RANGE OF TM350 AND TM500 MIXERS – A VERSATILE SOLUTION

Birkenmayer's **newly developed** range of TM Mixers, the **TM350** and **TM500**, are specifically designed to work with **smaller-capacity** brick making and block making machines. These **modern, tailored mixers** are ideal for various mixing applications, while their **versatile design** makes them suitable for mixing various cement types, adding **production flexibility** to any brick and block making operation.

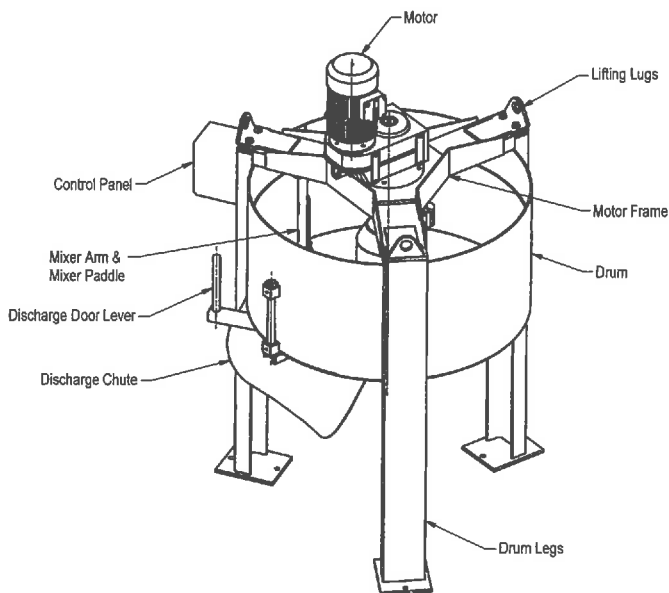


A range of unique features sets Birkenmayer TM Mixers apart from other mixers of this type, and incorporate elements that **increase safety**, facilitate **enhanced production**, **reduce downtime**, and keep you in **control** – ultimately giving you the **competitive edge!**

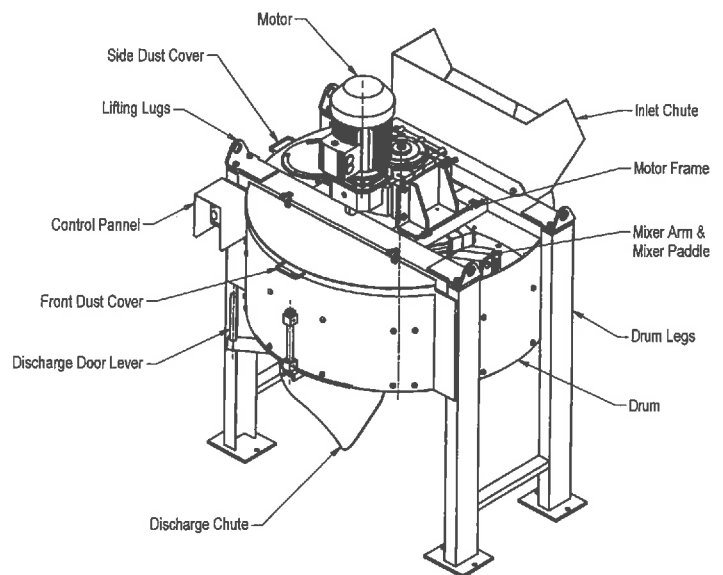
- A **robust design** which **reduces mixer downtime** and **increases longevity**
- A 4-tool mixing star assembly aids in **intensive and thorough mixing** action resulting in **high quality mixes**
- **Easily replaceable wear plates** lining the pan wall and floor result in **minimised downtime** when replacing plates
- Simple mixer operation via the **stop/start push button facility** incorporated into the design
- A **safety grid** and **safety limit switch** increase **operator** and surrounding **personnel safety**
- A **manual discharge feature** negates the possibility of mechanical discharge failure, and keeps the operator in control
- Various mixer **options** to suit clients' **specific needs:**
 - various motor and drive sizes
 - wear resistant parts
 - inner linings
 - customised abrasion-specific tools

BIRKENMAYER MIXERS

TM350



TM500



Different mixing specifications allow you to select the ideal Birkenmayer TM Mixer for your business requirements:

MODEL	TM350	TM500
Dry filling capacity	300 ℓ	500 ℓ
Electric drive – geared motor, top mounted	7.5 kW	11 kW
Pan diameter	1 200 mm	1 500 mm
Discharge height above ground level	1 m	1 m
Pan wall height	615 mm	685 mm
Overall dimensions	1 500 mm W x 2 300 mm H	1 735 mm W x 2 470 mm H
Mass	800 kg	1 350 kg

* Please note: Capacities are subject to confirmation of material densities

**Larger mixers, including the unique EIRICH R-Type Intensive Mixers,
also locally manufactured by Birkenmayer.**

H. Birkenmayer (Pty) Ltd. • 56 Steel Road, Spartan, Gauteng
PO Box 83, Isando, 1600, South Africa
Tel: +27 11 970 3880 • Fax: +27 11 394 1681
e-mail: sales@birkenmayer.co.za • www.birkenmayer.co.za

