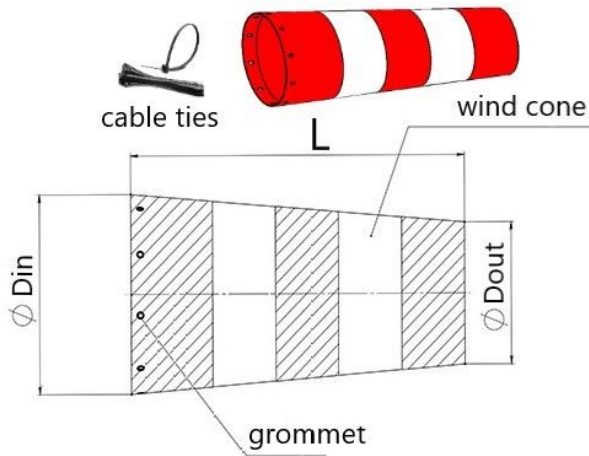




Replacement Wind Cone Simple - WCS



Designed for installation on windsocks for visual determination of the wind direction.

It has the shape of a truncated cone with alternating red-white transverse stripes.

It is attached to the windsock frame (supplied separately) using cable clamps (included).

The cone is made of light, windproof and water-resistant nylon fabric (Poly Taffeta 190T RS PU 2000). The edge under the grommets is reinforced with a strong tape.

Specifications

Article	Length L (cm/ft)	Aperture Din (cm/in)	Application	Compliance	Packaging size & weight
2xWCS100	100/3½'	50/20"	Airstrips	GOST 25269-82	265x205x35 mm 355 g
2xWCS120	120/4'	30/12"	Helidecks	ICAO, Volume 2 Annex 14	265x205x35 mm 290 g
2xWCS150	150/5'	50/20"	Industrial objects	Safety reglaments	265x205x35 mm 430 g
2xWCS240	240/8'	60/24"	Helipads	ICAO, Volume 2 Annex 14	265x205x70 mm 715 g
2xWCS360	360/12'	90/36"	Airports	ICAO, Volume 2 Annex 14	265x205x70 mm 3000 g



Color: red-white transverse stripes.

Conditions of use:

- Temperature: -50C/-58F to +50C/ 122F
- Wind speed up to 25 m/s / 55mph

Guarantee: 3 months

United Windsocks

at some clicks at any destination in the world

Attention! Replacement cones WCS series are supplied in sets of 2 replacement cones in a box. Keep the replacement cone always in stock!