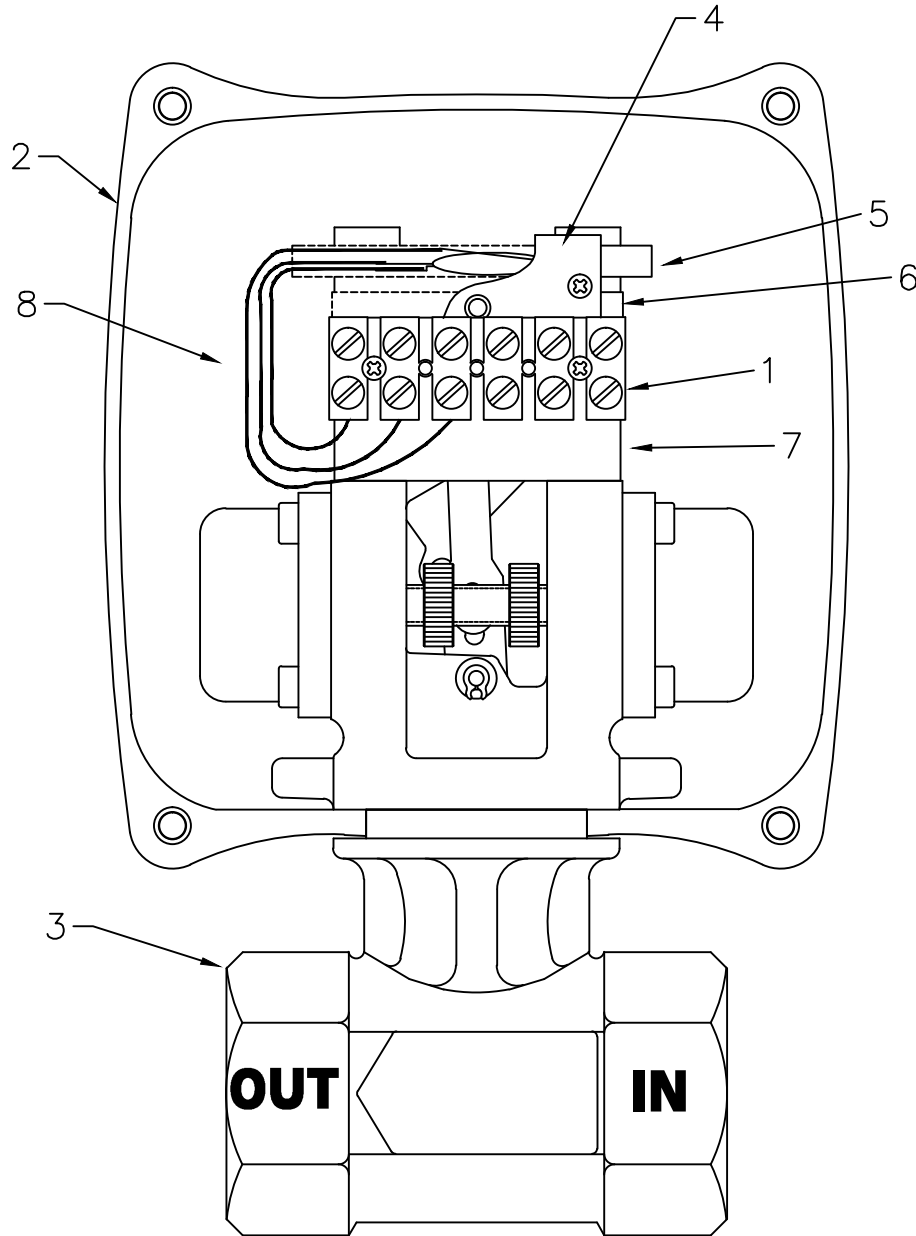


LTR	DATE	BY	CHECK	REVISIONS
A	7/19/05			INITIAL DESIGN
B	8/08/13			TYPO 1S2 WAS 1S1

BACK



ITEM	DWG. NO.	DESCRIPTION OF MATERIALS	QTY.
8		22 GAUGE WIRE	1
7	5312	REEDSWITCH BRACKET	1
6		PLACE HOLDER	1
5	6304	REEDSWITCH ASSY	1
4	6609	C CLAMP	1
3		BODY	1
2	6130	HOUSING (ABS)	1
1	6004	TERMINAL BLOCK	1

UNLESS OTHERWISE SPECIFIED: DIMENSIONS ARE IN INCHES	
TOLERANCES	
FRACTIONS:	± _____
.X	± _____
.XX	± _____
.XXX	± _____
ANGLES:	± _____
SURFACE FINISH:	√ _____
DRAWN BY	DATE
CHECKED BY	04/15/02

RCM Industries, Inc. 110 MASON CIRCLE
CONCORD, CA. 94520

**SERIES 7000 FLOWMETER
1S2 REEDSWITCH ASSY**

SCALE 1.5:1 SIZE C DWG NO. 6911 PAGE OF REV B

